

Irritrol®

SYSTEMS

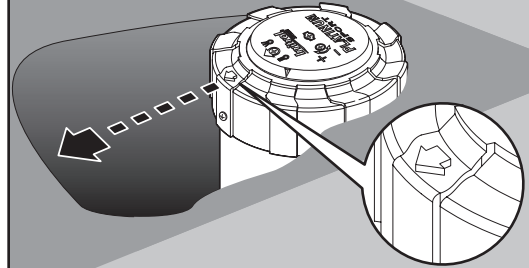
PLATINUM SPORT SERIES ROTOR

Instruction Guide

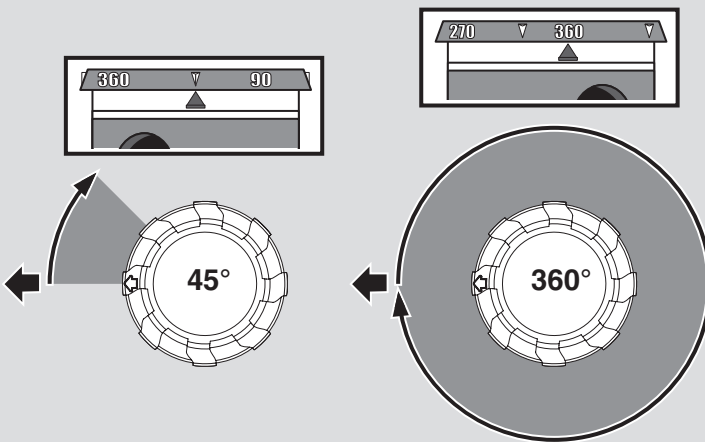


Watering Arc Adjustment

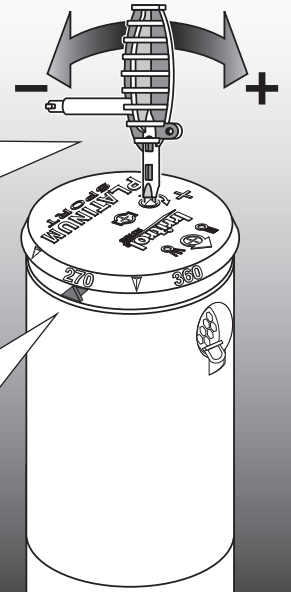
Align the cap arrow with the left side stop of the watering area. This is the non-adjustable side of the watering arc.



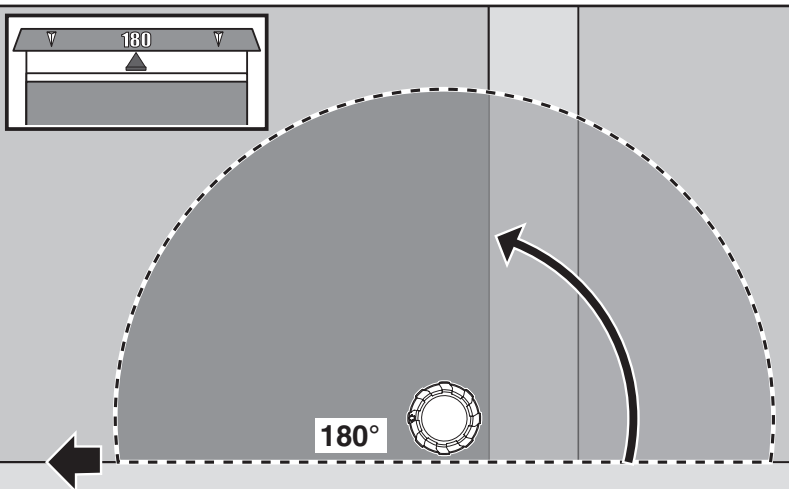
The watering area can be adjusted between 45° and 360°. When set to 360°, the nozzle does not reverse direction.



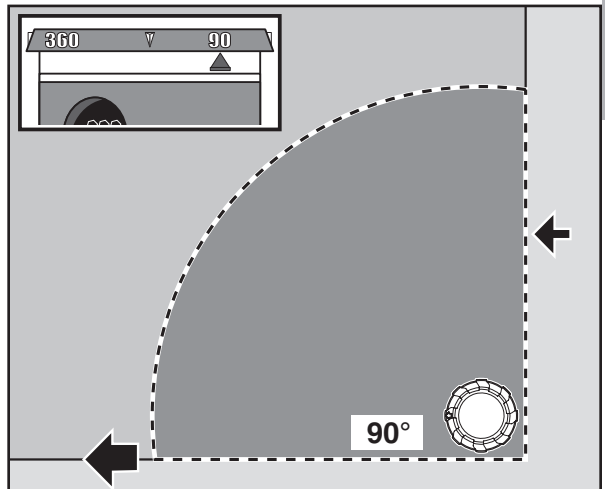
Use the sprinkler tool or a screwdriver to adjust the right stop of the watering arc. Rotate clockwise to increase or counter-clockwise to decrease.



Watch the arc indicator pointer move to mark the precise arc angle when adjusting.



The left stop indicates the fix point or 0° of the arc. The arc angle will determine the right stop of the watering arc.



Align the right stop to the watering area by adjusting the watering arc angle.

English

Español

Français

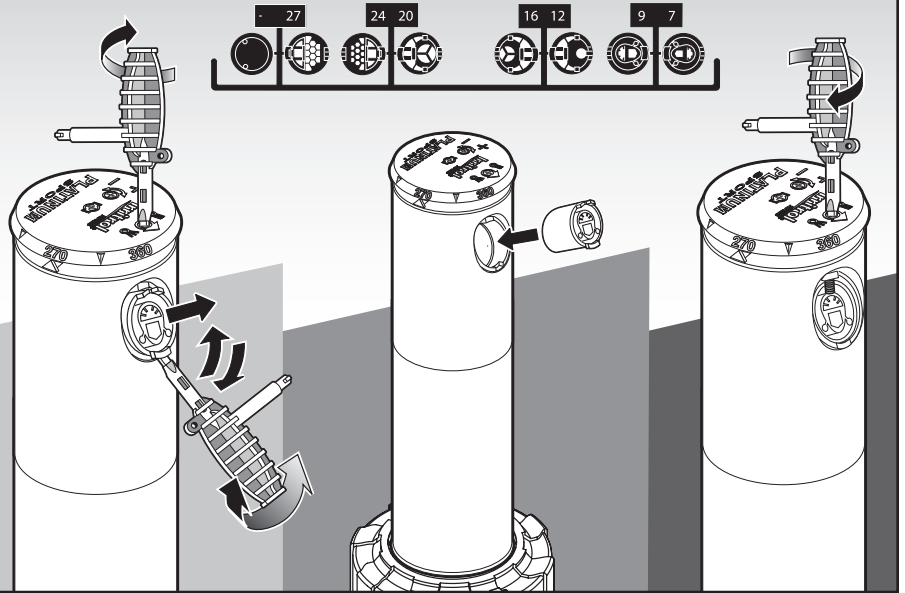
Deutsch

Italiano

português

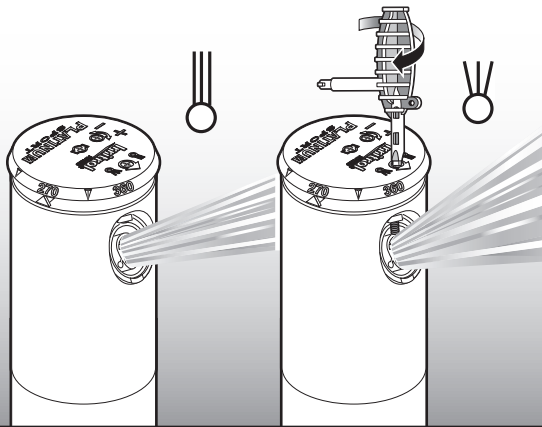
Changing Nozzle

The Platinum Sport Rotor comes with seven nozzle sizes from 7 to 27 GPM (31.8 to 122.7 LPM). To change the nozzle, insert the blade end of the sprinkler tool or a screwdriver through the cap. Turn the nozzle screw out until it clears the nozzle. Pry the nozzle out at the bottom and install the new nozzle. Return the nozzle screw to its previous position.



Adjusting Spray

Turn the nozzle screw in to diffuse and shorten the spray radius.

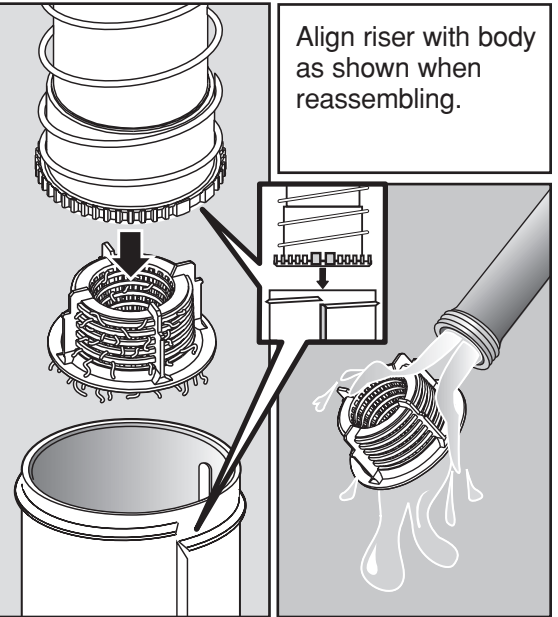


Cleaning Screen

Remove and flush screen as needed.



Align riser with body as shown when reassembling.



Install Check Valve

To prevent low head drainage, install check valve disk in position B.

