

E-pic



Female thread $\frac{3}{4}$ ", 1", 1 $\frac{1}{4}$ "

Globe configuration

Body and bonnet in Nylon reinforced with fiberglass (30%)

Features

- Internal manual bleed
- Optional flow control
- Slow, anti-water hammer closing
- Double beaded diaphragm in thermoplastic rubber

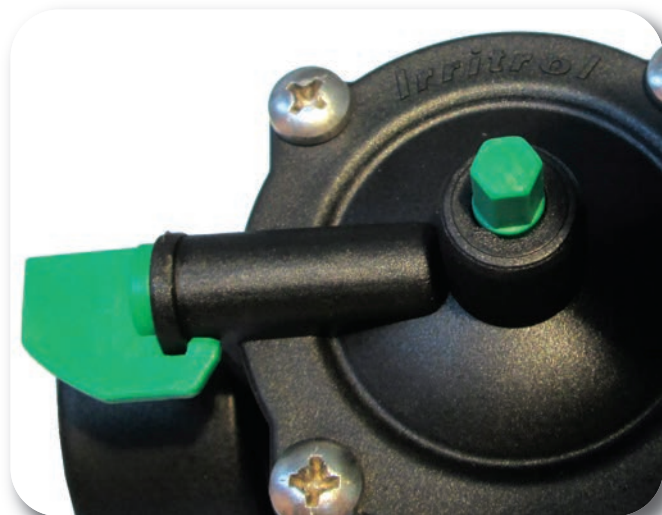
Additional Features

- Fast lid removing with 4 screws
- Flow Control with 6mm hexagonal system
- Inspectable spiral removable from the outside
- Flow rate of 80,0 l/min for 0,5 bar head losses

Specifications

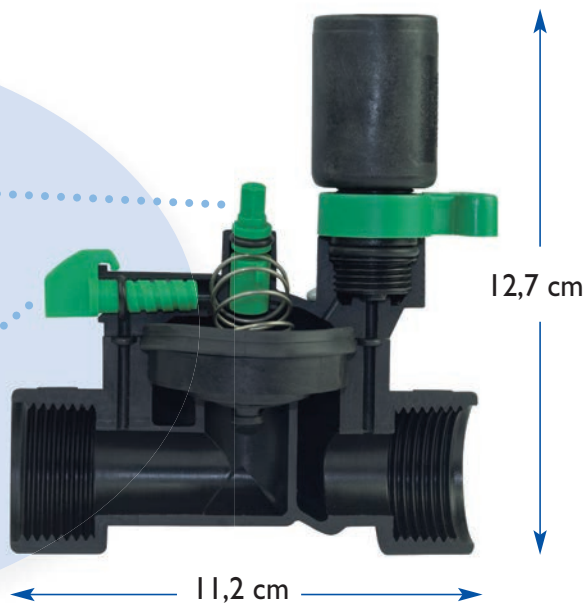
- Flow range: 1,2-7,2 m³/h (20-120 l/min)
- Operating pressure: 0,5-10,0 bar
- Solenoid 24VAC – 50Hz
 - Inrush current 0,34 A
 - Holding current 0,20 A

Epic is the new Irritrol valve specially designed for small residential irrigation systems. In fact, the guaranteed low flow rates, its small size and extremely easy maintenance make it the best choice for these applications.



Easy and fast flow control thanks to the hexagonal head of the pin

Easy to clean inside thanks to the removable spiral



Compact design



Pressure Loss (bar)*

m ³ /h	1,2	2,4	3,6	4,8	6,0	7,2
l/min	20	40	60	80	100	120
3/4"	0,16	0,26	0,41	0,62	0,88	-
1"	0,16	0,26	0,41	0,60	0,86	1,12

Codification

Code	Description
EU-EPIC-0.75-C	Valve E-pic 3/4" female, Flow Control
EU-EPIC-0.75-S	Valve E-pic 3/4" female, without Flow Control
EU-EPIC-1-C	Valve E-pic 1" female, Flow Control
EU-EPIC-1-S	Valve E-pic 1" female, without Flow Control

* The valve can also be used for systems with flow rates starting from 20 l/h